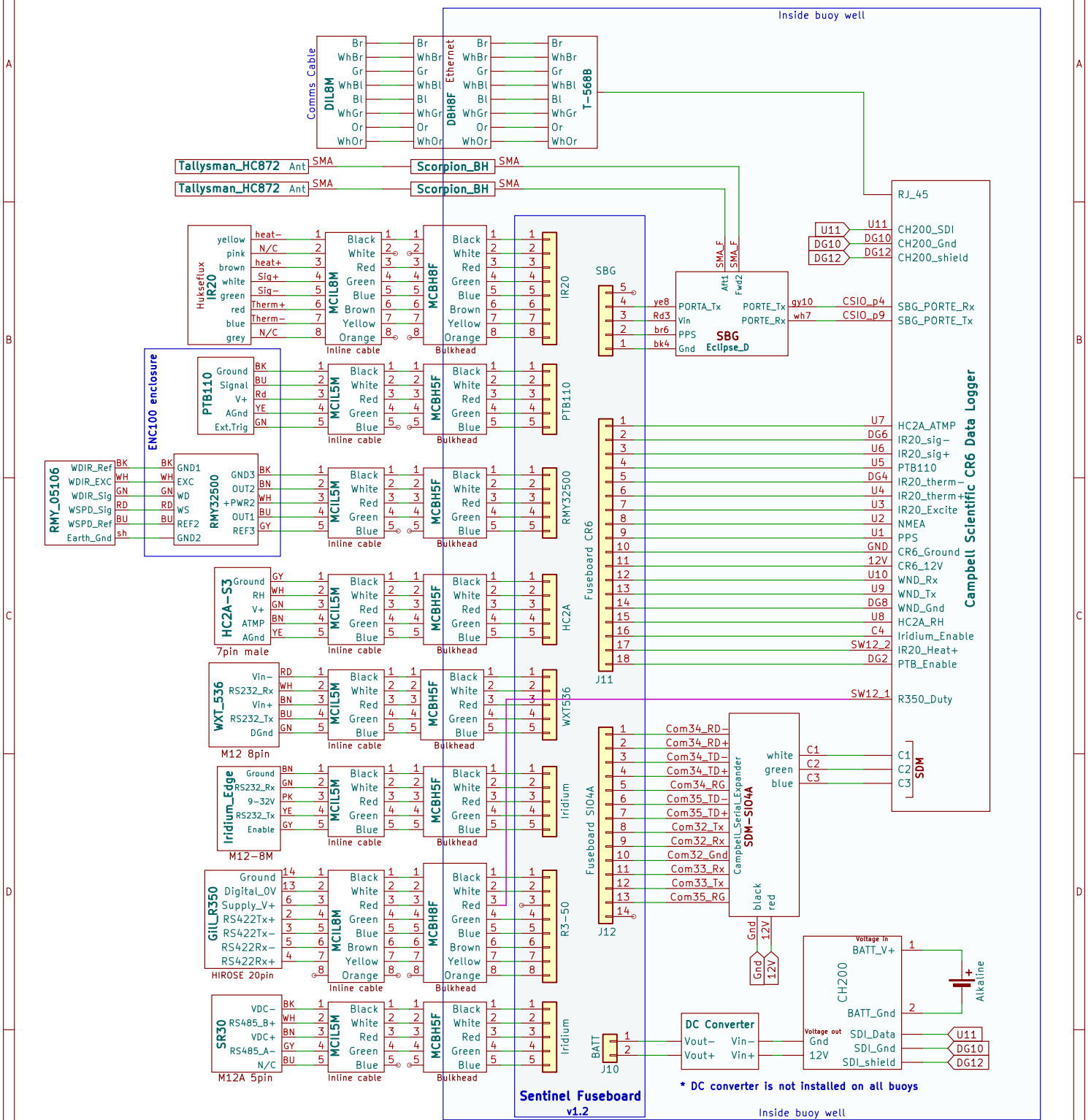


WFIP3 Sentinel Buoy



Benjamin Greenwood
 Woods Hole Oceanographic Institution
 Sheet: /
 File: Sentinel_schematic2.kicad_sch

Title: WFIP3 Sentinel Buoy

Size: USLetter Date: 2024-07-15
 KiCad E.D.A. 8.0.2

Rev:
 Id: 1/1